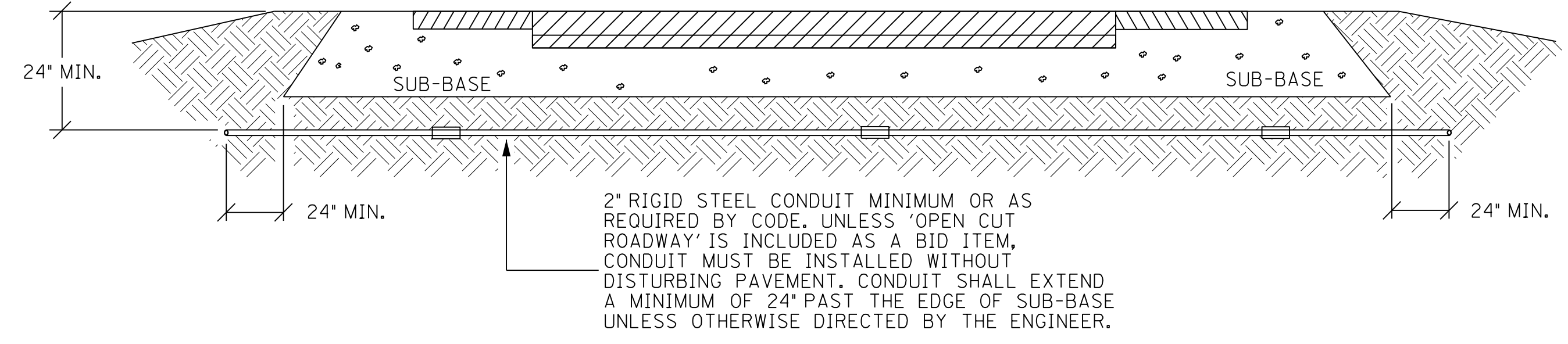
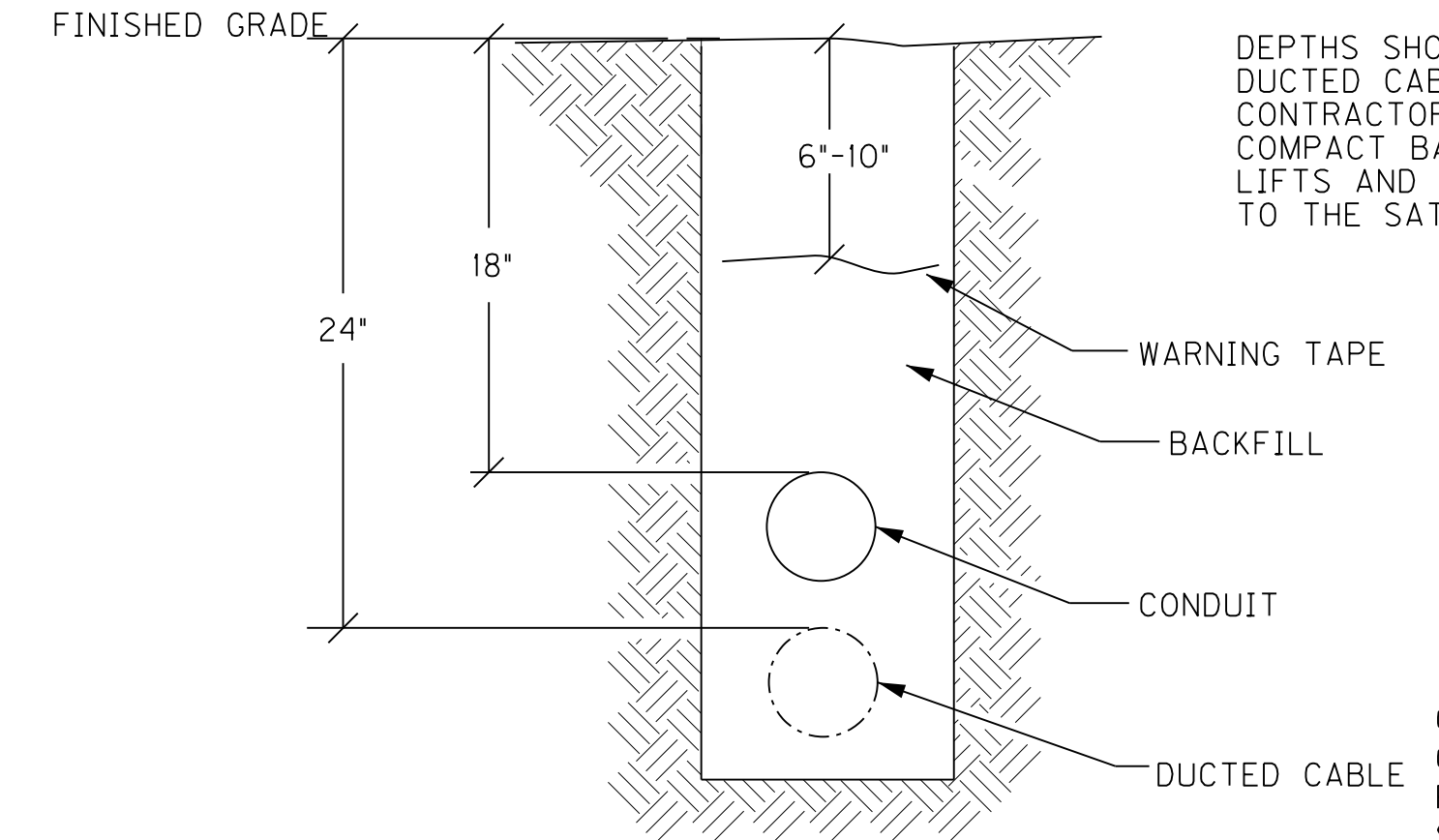
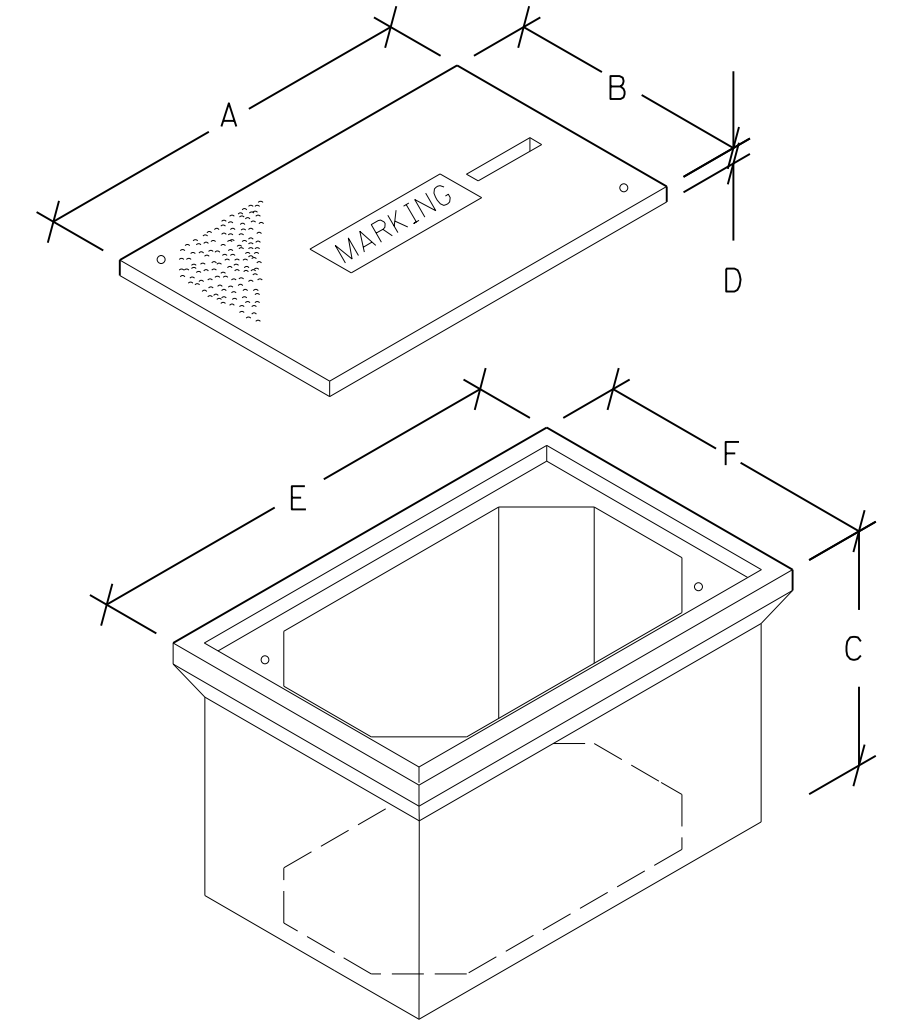


JUNCTION BOX DIMENSIONS (NOMINAL)						
	A	B	C	D	E	F
TYPE A	23"	14"	27"	2"	25"	15"
TYPE B	18"	11"	12"	1 3/4"	20"	13"
TYPE C	36"	24"	30"	3"	38"	26"

• MINIMUM  
NOTE: STACKABLE BOXES ARE PERMITTED  
JUNCTION BOX

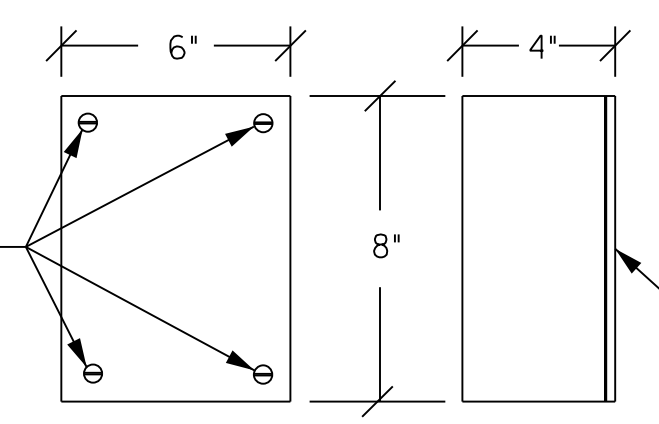


**CONDUIT INSTALLATION UNDER EXISTING PAVEMENT DETAIL**



**CONDUIT, DUCTED CABLE, AND WARNING TAPE TRENCH**

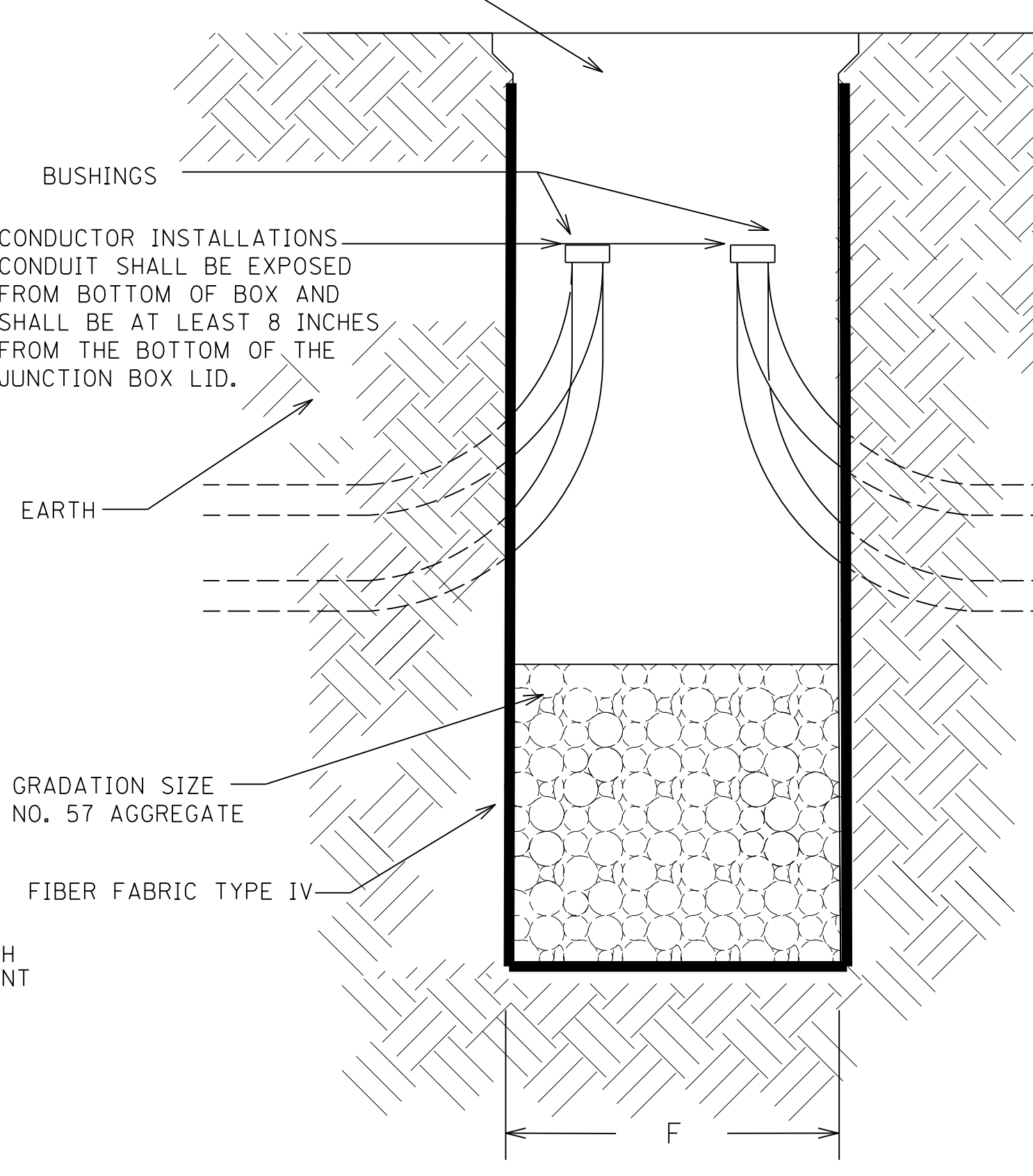
ABOVE GROUND BOX SHALL BE FABRICATED FROM MINIMUM 12 GAUGE STEEL AND GALVANIZED AFTER FABRICATION. BOXES SHALL HAVE NO KNOCKOUTS AND SHALL BE PROVIDED WITH A PLATE COVER WITH A WEATHER RESISTANT GASKET AND A MINIMUM OF FOUR SCREWS FOR ATTACHING THE PLATE COVER TO THE BOX. CABLE CLAMPS SHALL BE PROVIDED FOR CABLES ENTERING AND EXITING THE BOX.



**ABOVE GROUND BOX**

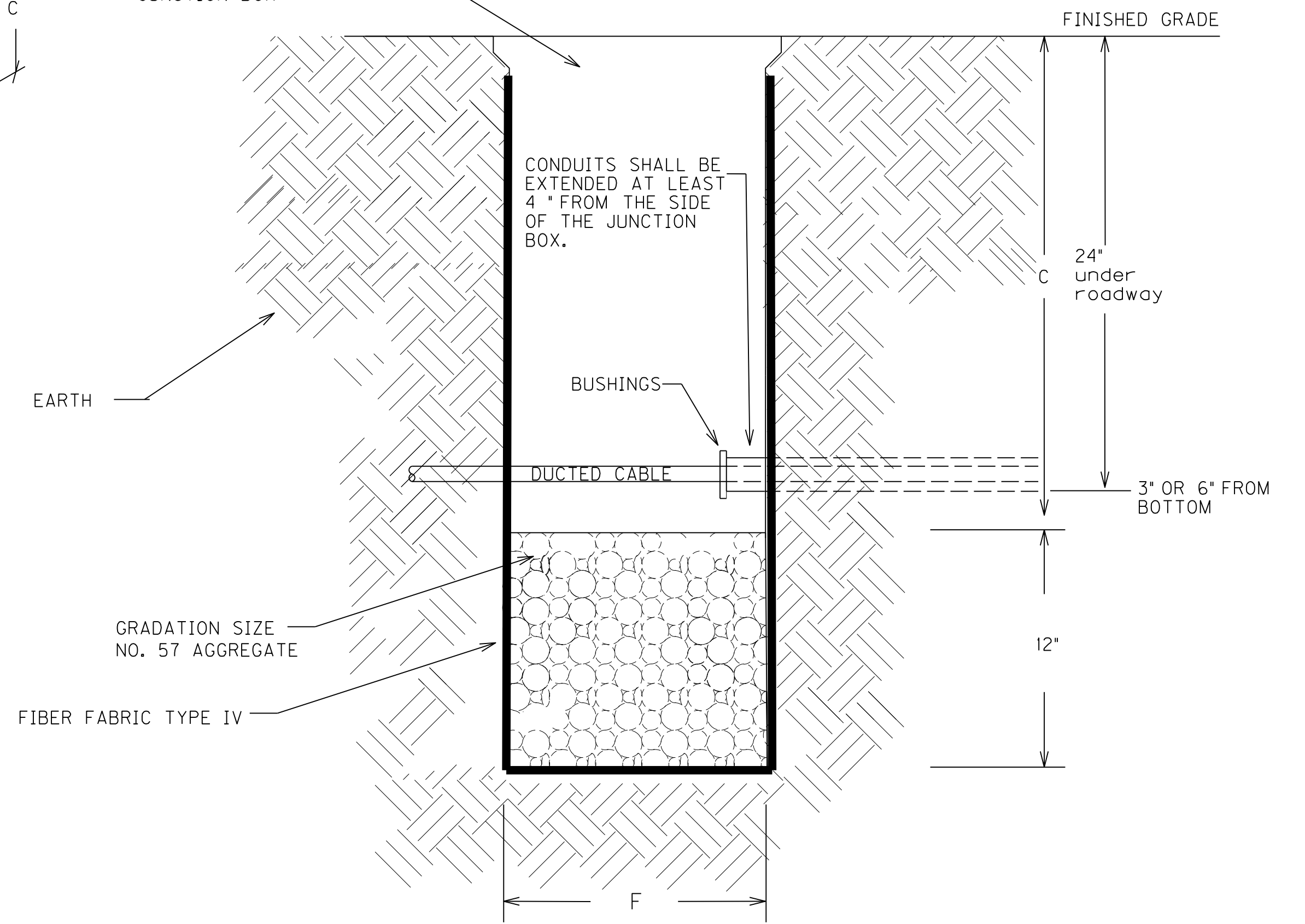
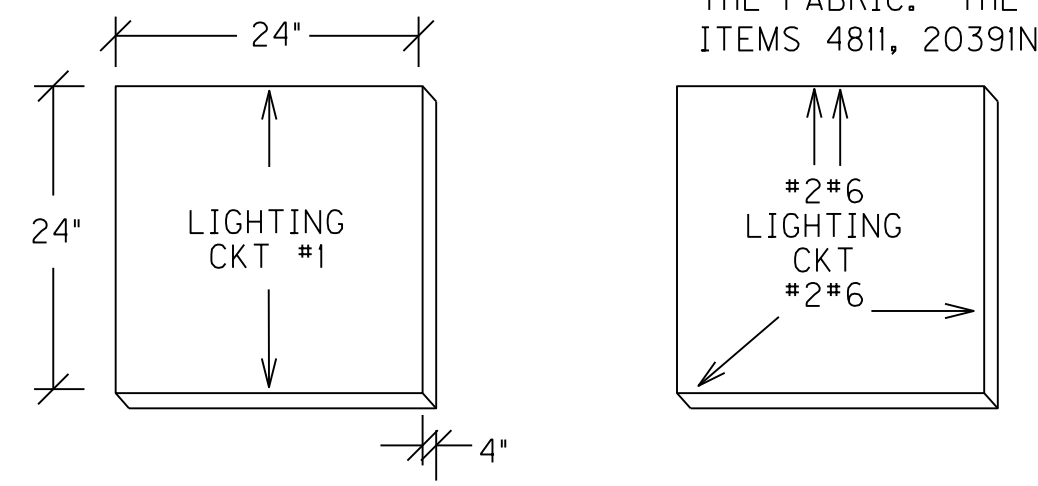
DEPTHS SHOWN FOR CONDUIT AND DUCTED CABLE ARE MINIMUMS. CONTRACTOR SHALL PLACE AND COMPACT BACKFILL IN 9" MAXIMUM LIFTS AND RETORE DISTURBED AREA TO THE SATISFACTION OF THE ENGINEER.

CONDUCTOR INSTALLATIONS CONDUIT SHALL BE EXPOSED FROM BOTTOM OF BOX AND SHALL BE AT LEAST 8 INCHES FROM THE BOTTOM OF THE JUNCTION BOX LID.



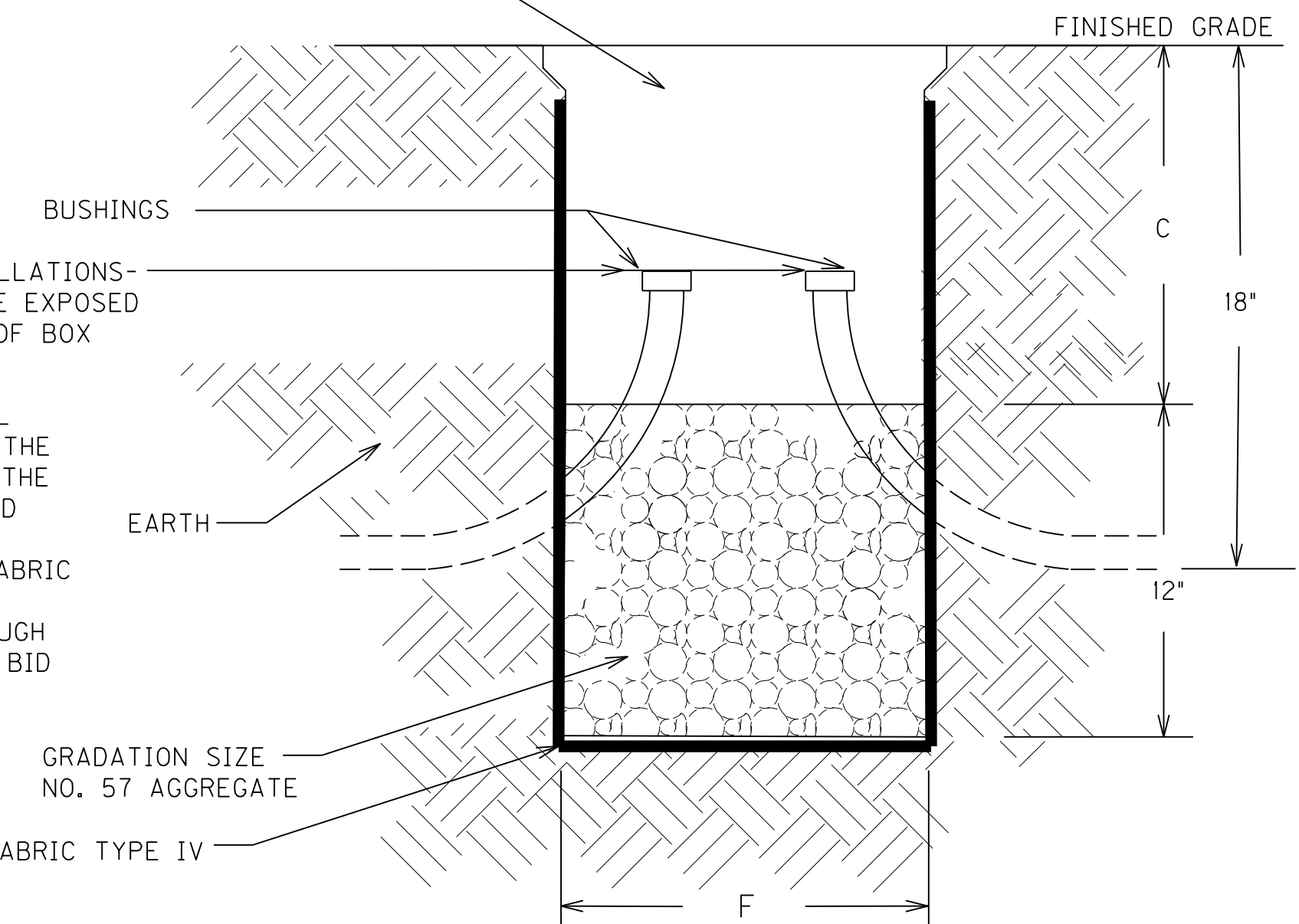
**JUNCTION BOX INSTALLATION FOR CONVENTIONAL LIGHTING**

BEFORE THE INSTALLATION OF THE #57 AGGREGATE AND JUNCTION BOX, THE CONTRACTOR SHALL INSTALL GEOTEXTILE FILTER FABRIC TYPE IV IN THE HOLE. THE FABRIC SHALL EXTEND TO JUST BELOW THE LIP OF THE JUNCTION BOX AND SHALL BE CONTINUOUSLY ADHERED TO THE EXTERIOR OF THE BOX WITH ADHESIVE. ANY LOCATIONS WHERE CONDUITS ENTER THE BOX, THE FABRIC SHALL BE 'X CUT' ONLY AS MUCH AS NECESSARY TO ALLOW PASSAGE OF EACH INDIVIDUAL CONDUIT THROUGH THE FABRIC. THE FABRIC SHALL BE INCIDENTAL TO BID ITEMS 4811, 20391NS835, OR 20392NS835.

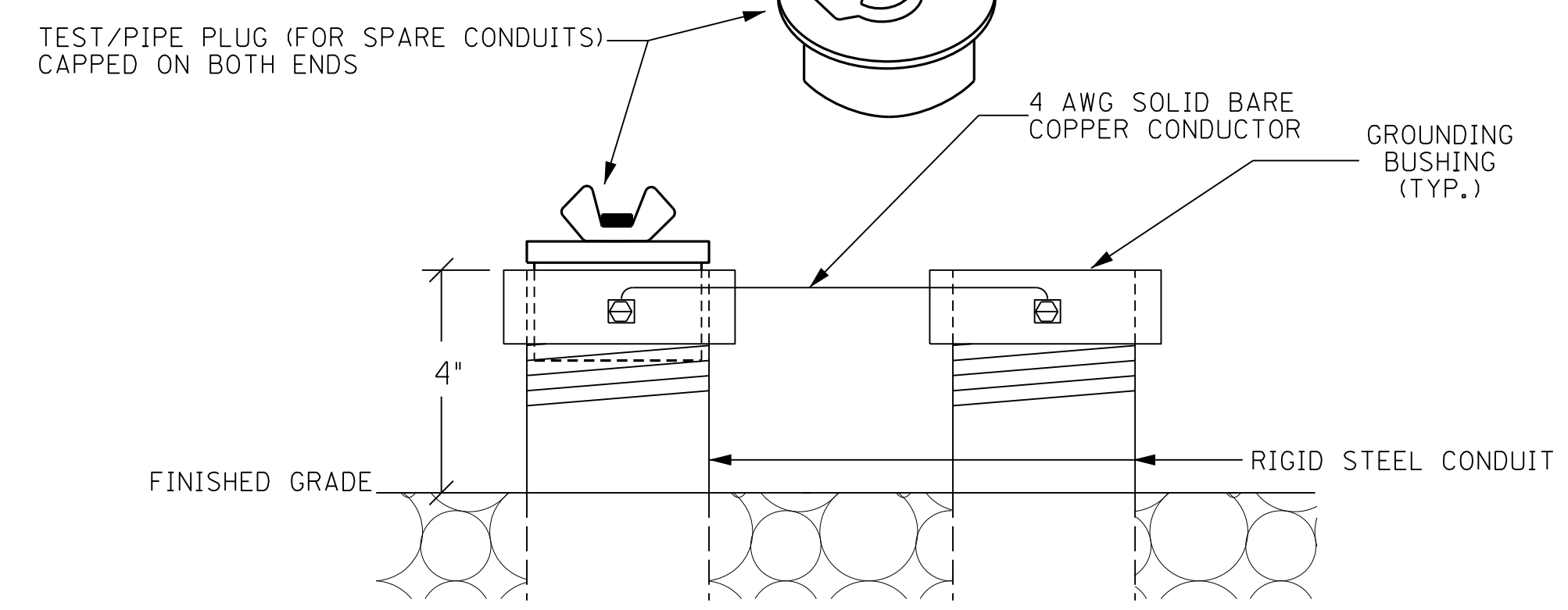


**JUNCTION BOX INSTALLATION FOR HIGHMAST LIGHTING**

CONDUCTOR INSTALLATIONS- CONDUIT SHALL BE EXPOSED 4" FROM BOTTOM OF BOX



**JUNCTION BOX INSTALLATION FOR TRAFFIC SIGNALS**



**TEST/PIPE PLUG(FOR SPARE CONDUITS) AND GROUNDING DETAIL CONCRETE CABLE MARKERS**

FILE NAME: G:\PWORK\TED.SWANSEGAR\MS28754\06 07 II-JUNCTION BOX uB1.DGN  
 USER: ted.swansegar  
 DATE PLOTTED: March 20, 2017  
 E-SHEET NAME:  
 MicroStation v8.11.7.443  
 3/13/2017